

MINI EXCAVATOR



Specifications

Operating weight	3500 kg
Engine power	22 kW (30 HP)
Bucket capacity	54-191 l
Dig depth	3.4 / 3.6 m
Reach	5.5 / 5.7 m

Features

- ▶ Short-tail machine
- ▶ Extra-wide blade for dozer applications
- ▶ Top-mounted boom cylinders for perfect protection of cylinders and larger range of application
- ▶ Comfort cab with perfect all-round visibility
- ▶ Increased productivity thanks to load sensing hydraulics
- ▶ Knickmatik® allows for working closely alongside walls
- ▶ Wide range of proven working tools

WORKS FOR YOU.™

SPECIFICATIONS

ENGINE

Manufacturer, model	Mitsubishi, S4L2
Type	4-cylinder diesel engine, EPA/Tier 4 Interim (2008)
Combustion	4-stroke, swirl chamber injection
Displacement	1758 cm ³
Net power rating at 2200 rpm (ISO 9249)	22 kW (30 hp)
Torque	105 Nm at 1800 rpm
Cooling system	Water

ELECTRICAL SYSTEM

Nominal voltage	12 V
Battery	12 V / 71 Ah
Generator	12 V / 50 A
Starter	12 V / 2.0 kW

TRANSMISSION

Two-stage hydrostatic travel drive with axial piston variable displacement motor and reduction gear, fully enclosed. "Straight-Travel" function. Brake valve for downhill drive.

2 speed ranges:

Travel speed, forward and reverse	0-2.7 / 4.6 kph
Gradeability	max. 60 %
Drawbar pull 1st / 2nd speed range	3100 / 1600 daN

UNDERCARRIAGE

Maintenance-free crawler-type undercarriage. Idler suspension with hydraulic crawler track tensioning.	
Width rubber crawlers / steel crawlers	300 mm
Tread width	1200 mm
Total length (sprocket - idler)	1555 mm
Total length (undercarriage)	1996 mm

DOZER BLADE

Independent of drive train, sensitive control via separate hand lever.	
Width x height ("standard" / "extra-long")	1510 x 360 mm
Dozer cut below ground	320 / 298 mm
Dozer cut above ground	202 / 447 mm
Slope angle	22° / 31°
Slope balance	9.7° / 7.7°

STEERING

Independent, individual control of crawler chains, also counterwise. Sensitive control via hand levers combined with foot pedals. Pedal console serving as foot rest.

SWING SYSTEM

Hydrostatic drive, also acts as wear-resistant brake. Additional spring-loaded multi-disc brake. Internally toothed ring gear.

Swing speed	0-10.5 rpm
-------------	------------

KNICKMATIK®

Lateral parallel adjustment of boom arrangement at full dig depth.	
Angle of articulation / lateral adjustment left	60° / 445 mm
Angle of articulation / lateral adjustment right	60° / 595 mm

FLUID CAPACITIES

Fuel tank	52 l
Hydraulic system (incl. tank 71 l)	85 l



OPERATING DATA, STANDARD EQUIPMENT

Transport weight (incl. bucket)	3500 kg
Operating weight acc. to ISO 6016 (incl. operator)	3575 kg
Total length (travel position)	3285 mm
Total length (trailer transport position)	5150 mm
Total height (travel position)	3500 mm
Total width	1500 mm
Uppercarriage tailswing	1350 mm
Uppercarriage frontswing	1600 mm
Working envelope 180° / 360°	2970 / 3200 mm
Ground clearance	300 mm
Bucket digging force (ISO 6015)	24,600 N
Stick digging force (ISO 6015)	16,200 (14,900*) N
Ground pressure (rubber crawlers)	0.31 daN/cm ²
Ground pressure (steel crawlers)	0.32 daN/cm ²

HYDRAULIC SYSTEM

Pump capacity	max. 95 l/min
Working pressure	250 bar

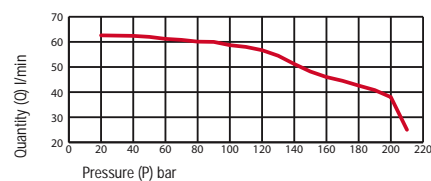
Working hydraulics: LS-axial-piston variable displacement pump, load sensing and load-independent flow distribution (LUDV) for all work functions and travel drive. Simultaneous independent control of all movements.

Tank-immersed return filter with electric contamination indicator, full flow filtration. Hydraulic oil radiator provided as standard. Boom, dipperstick and articulated cylinders with end-positioning damping on both sides, bucket retract function with one-side end-position damping.

Open return provided as standard. All functions can be activated proportionally. Two servo-assisted joystick controls for excavator operations. Shut-off of all functions when operator dismounts from machine

Control circuit for work attachments (standard):

Diagram shows P/Q provided on couplers



CAB

Spacious, sound-insulated full-vision steel cab, FOPS** (acc. to ISO 3449) and TOPS (acc. to ISO 12117) certified. Two equally large doors. Safety glass windows, thermo windows tinted in green. Skylight thermo window, bronze tinted. Panoramic rear window. Front window supported by pneumatic springs, lockable for ventilation and slidable under cab roof. Windshield washer system. Storage compartment. Preparation for radio installation. Left-hand outside rear-view mirror.

Cab heating with windshield defroster through coolant heat exchanger and 2-speed fan, ventilating mode in summer.

Operator's seat MSG 85 (standard version), hydraulic damping, short backrest, height-adjustable, longitudinal-horizontal suspension, lap belt.

Instrument panel on the right hand side of the operator's seat with visual & acoustic warning device, hour-meter, instrument cluster with large fuel gauge.

Working flood lights Halogen H-3.

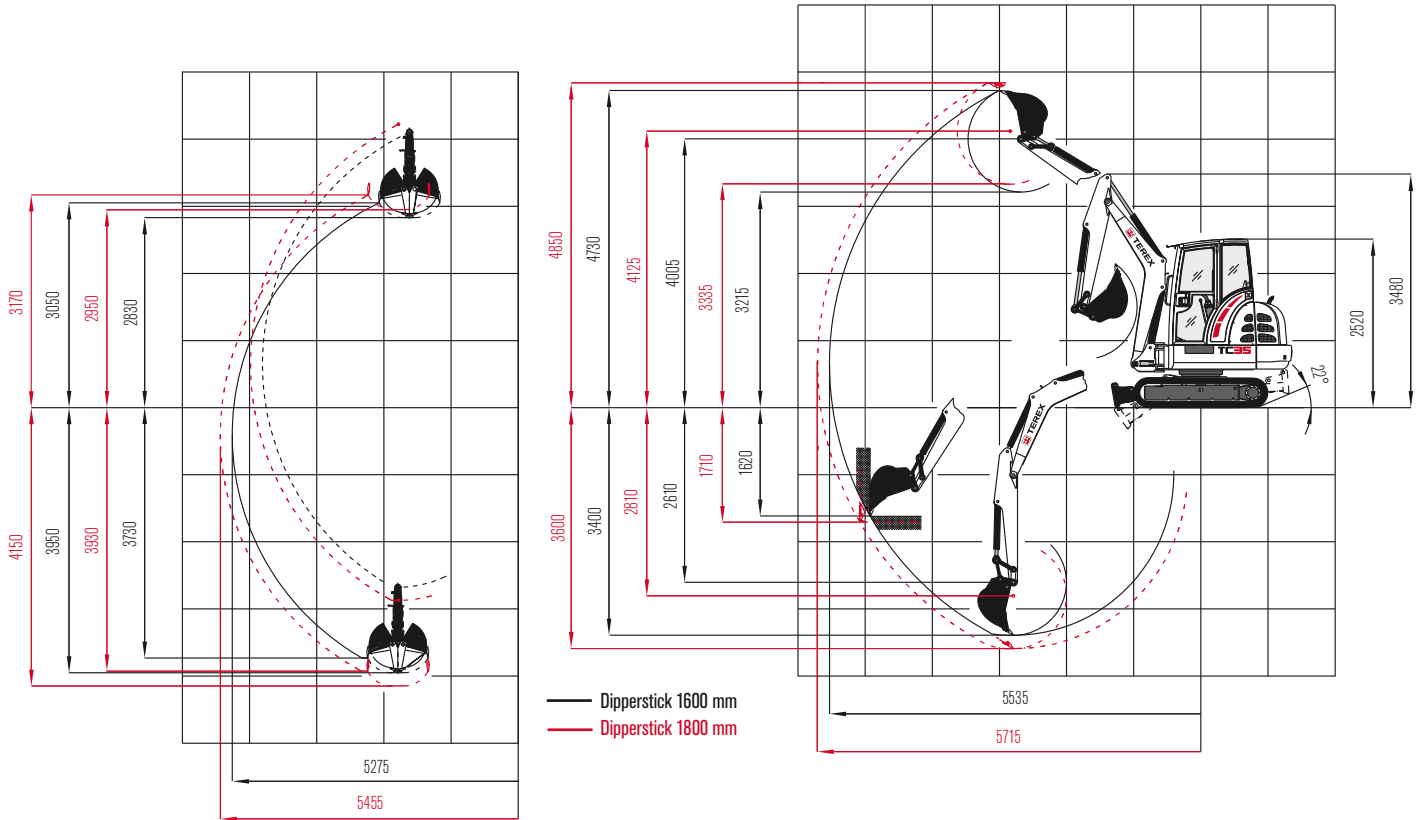
Noise emission ambience L_{WA}	95 dB (A)
Noise emission cab L_{PA}	76 dB (A)

Measured in dynamic measuring cycle acc. to EC-directive 2000/14/EC.

*with dipperstick 1800 mm (optional)

**FOPS-approved only with skylight guard (optional)

WORKING RANGES & DIMENSIONS: MONOBLOC BOOM



LIFTING CAPACITIES

Bucket hinge height		Load radius from center of ring gear											
Dipperstick 1600 mm		2.0 m		2.5 m		3.0 m		3.5 m		4.0 m		4.5 m	
		End	Side	End	Side	End	Side	End	Side	End	Side	End	Side
2.0 m	S	-	-	1.10	1.07	1.03	0.82	0.98	0.63	0.91	0.51	0.82	0.42
	T	-	-	1.07	1.00	0.95	0.78	0.62	0.60	0.55	0.49	0.42	0.39
1.0 m	S	2.53	1.35	1.86	0.98	1.39	0.76	1.15	0.60	0.96	0.48	0.83	0.40
	T	1.45	1.27	1.01	0.93	0.79	0.72	0.59	0.57	0.48	0.46	0.40	0.38
0 m	S	2.00	1.11	1.90	0.90	1.44	0.71	1.14	0.57	0.93	0.47	0.76	0.39
	T	1.15	1.07	0.90	0.84	0.71	0.67	0.56	0.54	0.49	0.44	0.41	0.38
-1.0 m	S	1.25	1.20	1.44	0.82	1.18	0.65	1.04	0.54	0.81	0.47	-	-
	T	1.08	1.05	0.81	0.77	0.59	0.61	0.57	0.52	0.51	0.43	-	-

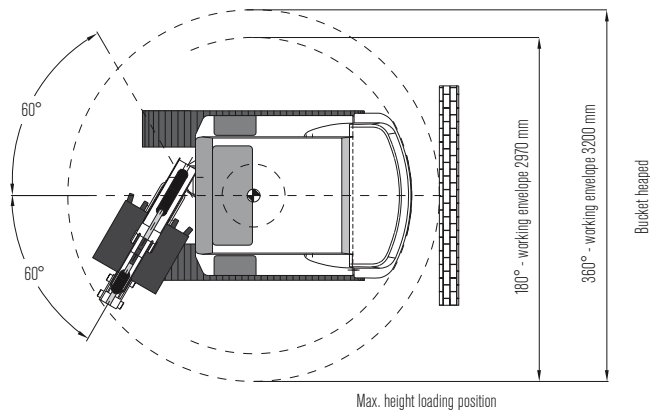
All values in tons (t) were determined acc. to ISO 10567 and include a stability factor of 1.33 or 87% of the hydraulic lifting capacity. All values were determined with quick-attach system but without bucket. In case of mounted-on work attachments, the deadweights of the work attachments must be deducted from the permissible operating loads.

Working equipment: Rubber crawlers.

Abbreviations: S = Supported by blade, T = Traveling

DIMENSIONS

Work equipment:
Monobloc boom with dipperstick 1600 mm



WORK ATTACHMENTS

BUCKETS

Bucket, QAS	300 mm wide, capacity 54 l
Bucket, QAS	400 mm wide, capacity 78 l
Bucket, QAS	500 mm wide, capacity 103 l
Bucket, QAS	600 mm wide, capacity 129 l
Bucket, QAS	700 mm wide, capacity 155 l
Ditch-cleaning bucket, QAS	1000 mm wide, capacity 145 l
Ditch-cleaning bucket, QAS	1300 mm wide, capacity 191 l
Swing bucket, QAS	1000 mm wide, capacity 145 l
Swing bucket, QAS	1300 mm wide, capacity 191 l
Ditch-cleaning bucket, QAS	1000 mm wide, capacity 145 l

GRABS

Clamshell grab GL 1250, grab swing brake	set of shells 250 mm wide, capacity 45 l
Clamshell grab GL 1350, grab swing brake	set of shells 350 mm wide, capacity 65 l
Clamshell grab GL 1450, grab swing brake	set of shells 450 mm wide, capacity 85 l
Clamshell grab GL 1600, grab swing brake	set of shells 600 mm wide, capacity 115 l
Ejector	

OTHER WORK ATTACHMENTS

Ripper tooth / QAS (1 tooth)	Cutting unit
Hydraulic hammer	Quick-change adapter for hydraulic hammer
Auger	Bolt-on load hook for bucket rod
Load hook integrated in quick-attach system	
Further work attachments available on request	

OPTIONAL EQUIPMENT

BOOM OPTIONS

Monobloc boom, with extended dipperstick 1800 mm

CRAWLER CHAIN OPTIONS

Steel crawler track, 300 mm wide

HYDRAULIC SYSTEM

Terex 'Fingertip' control (electro proportional) for additional control circuit for work attachments on right joystick, actuation via rollers

Terex 'Fingertip' control (electro proportional) incl. second additional control circuit on left joystick, actuation via rollers

Hose-rupture / load-retaining valve for boom with load warning device

Second additional control circuit (e.g. for sorting grab), foot pedal

Hose-rupture / load-retaining valve for dipperstick

Biodegradable hydraulic oil / ester-based HLP 68 (Panolin)

Float position - front dozer blade

DRIVER'S STAND

Operator's seat MSG 20

Operator's seat MSG 85 (comfort version), hydraulic damping, extra-high backrest, tilt-adjustable armrests, longitudinal-horizontal suspension, mechanical lumbar support

Operator's seat MSG 95 (premium version), air damping, extra-high backrest and tilt-adjustable armrests, longitudinal-horizontal suspension, seat and backrest heating, pneumatic lumbar support

CAB

Rain guard	FOPS - skylight guard
Cab-mounted working floodlight, front right	Cab-mounted working floodlight, rear right
Boom-mounted working floodlight	Radio set installation kit
Anti-theft device, coded key (immobilizer)	Electronic immobilizer, keypad operation
Yellow beacon	Motion alarm incl. horn (to be deactivated on demand)

OTHER OPTIONAL EQUIPMENT

Mechanical quick-attach system (QAS)	Front dozer blade - extra-long version
Quick-attach system, mechanical (genuine Lehnhoff system), type MS03	Canopy with working floodlight (weight reduction: 80 kg)
Crane loading wire-rope harness	Special coating / adhesive films
Further optional equipment available on request	

www.terex.com/construction

Effective Date: February 2011. Product specifications and prices are subject to change without notice or obligation. The photographs and/or drawings in this document are for illustrative purposes only. Refer to the appropriate Operator's Manual for instructions on the proper use of this equipment. Failure to follow the appropriate Operator's Manual when using our equipment or to otherwise act irresponsibly may result in serious injury or death. The only warranty applicable to our equipment is the standard written warranty applicable to the particular product. Terex makes no other warranty, express or implied. Products and services listed may be trademarks, service marks or trade-names of Terex Corporation and/or its subsidiaries in the USA and other countries. All rights are reserved. "Terex" is a registered trademark of Terex Corporation in the USA and many other countries.
Copyright © 2013 Terex Corporation (R5_111213)

Ref. no.: TEREX559EN

Terex Compact Germany GmbH

Kraftwerkstrasse 4

D-74564 Crailsheim

Tel: +49 (0)7951 / 9357-0

Fax : +49 (0)7951 / 9357-671

construction@terex.com

www.terex.com



WORKS FOR YOU.™